



SERVICE BULLETIN



SERVICE DEPARTMENT... CHRYSLER-PLYMOUTH DIVISION
CHRYSLER MOTORS CORPORATION

TECHNICAL INFORMATION ON IMPERIAL CHRYSLER PLYMOUTH VALIANT

If a frame contact type hoist is to be used to raise any 1963 Chrysler, Plymouth or Valiant car, it must be equipped with the proper adapters in order that the car will be supported in the correct location as shown in the sketches on this bulletin.

If your service department is equipped with a frame contact hoist, it is recommended that you contact the local hoist distributor, in order to obtain the proper adapters for your equipment.

A regular floor jack may be used under the rear axle housing or under the front suspension lower control arms. A floor jack must never be used on any part of the underbody.

The bumpers are designed to accept a bumper jack in an emergency, if it becomes necessary to change a tire on the road. Notches are provided in the bumpers for the purpose of raising a car with a bumper jack.

If floor stands are used, they must be placed under the axle housing and under the lower control arms, or under the positions shown in the sketch on the back of this bulletin.

Raising the car with a regular twin post hoist is satisfactory providing good contact is made at the rear axle housing and at the front suspension lower control arms.

POLICY: INFORMATION ONLY.

J. W. FARLEY
Manager-Service
CHRYSLER-PLYMOUTH DIVISION

December 12, 1962

No. 63-38

FRAME

RAISING THE CAR ON A FRAME CONTACT HOIST

ALL 1963
CHRYSLER,
PLYMOUTH
AND
VALIANT
MODELS

P-5042-C

Service Mgr.	
Shop Foreman	
Technicians	
Parts Mgr.	
Partsmen	

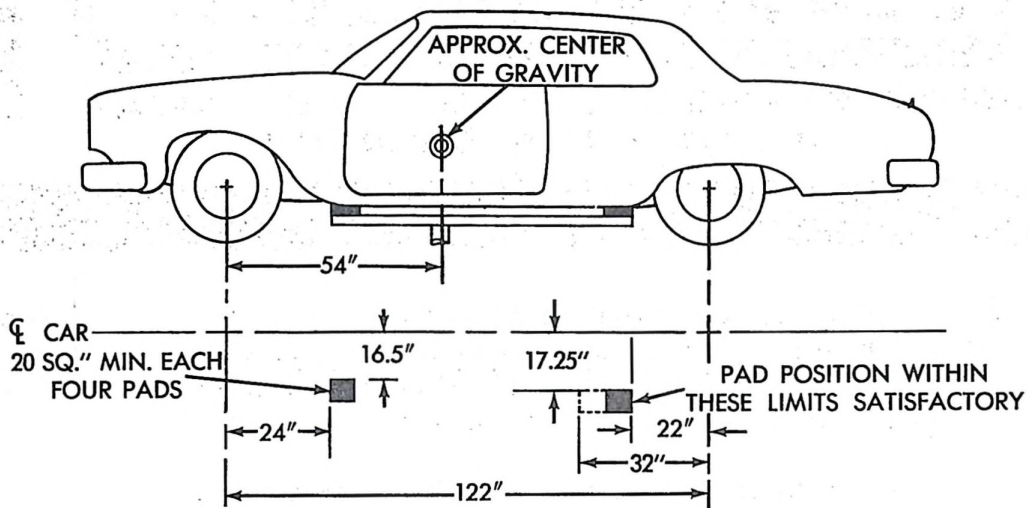


Figure 1

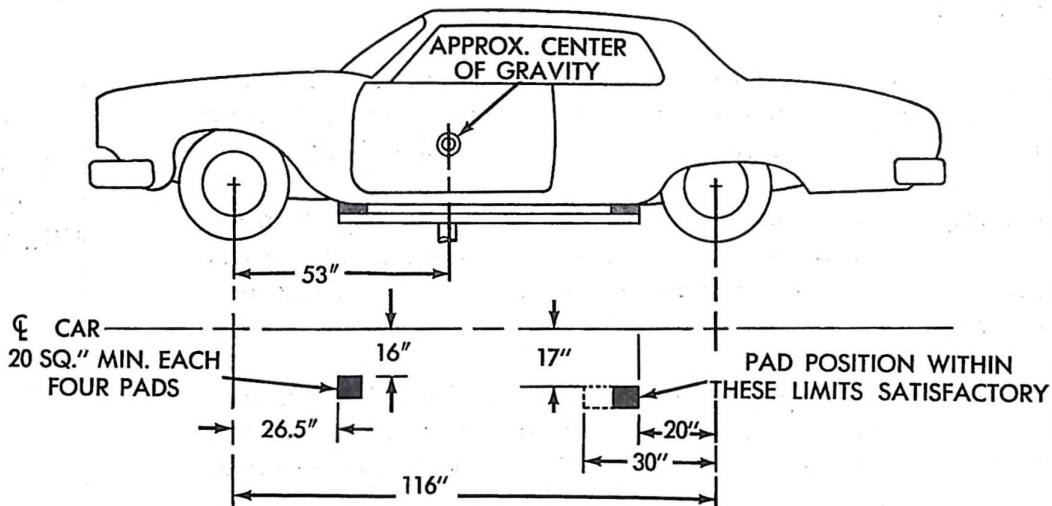


Figure 2

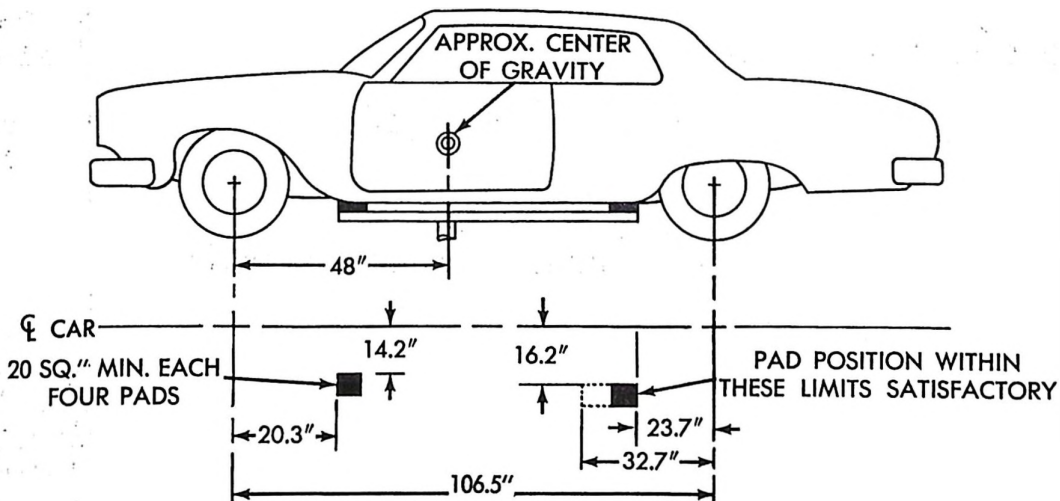


Figure 3